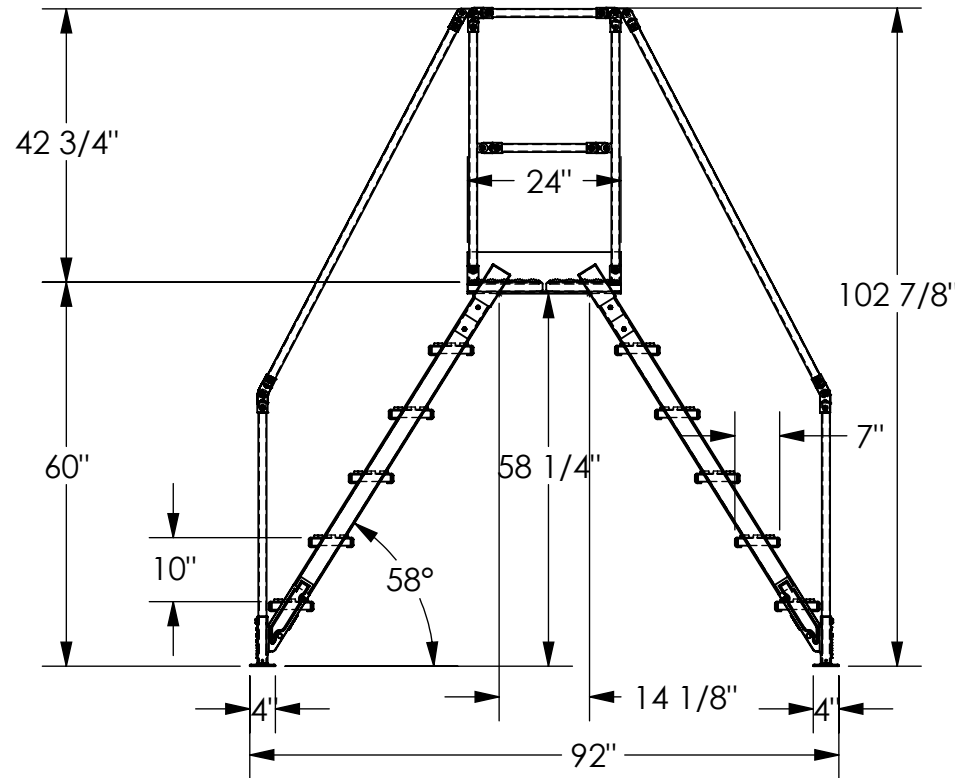
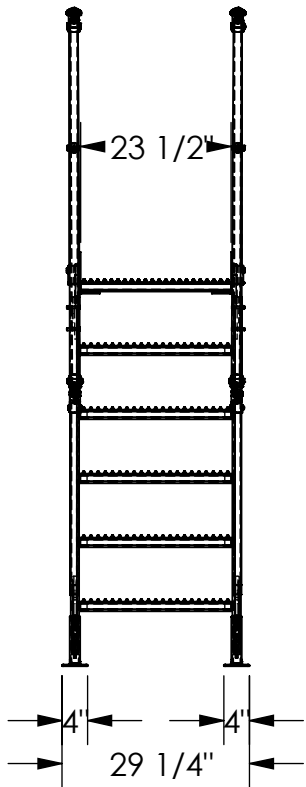


CROSS-OVER LADDER - COL-6-56-14-HDG

APPROX WEIGHT: 358.12 lbs.
 DOES NOT INCLUDE WEIGHT OF POWER OR PACKAGING!!!

*** ANY ADDITIONS, DELETIONS, OR OMISSIONS MUST BE CORRECTED ON THIS DRAWING AS THIS DRAWING WILL BE CONSIDERED ALL INCLUSIVE ***

ALL GRAPHICS PROVIDED ARE FOR REFERENCE ONLY. IF CERTAIN DIMENSIONS ARE CRITICAL PLEASE VERIFY THOSE DIMENSIONS WITH YOUR SALESPERSON



DIMENSION TOLERANCE $\pm 1/4"$

STANDARD FEATURES

MODEL NUMBER: COL-6-56-14-HDG

OVERALL SIZE:

29 1/4" W x 92" L x 102 7/8" H

CLEARANCE SPAN:

14 1/8" W x 58 1/4" H

TOP PLATFORM HEIGHT: 60"

STEP HEIGHT SPACING: 10"

STEP DEPTH: 7"

STEP & PLATFORM WIDTH 23 1/2"

CLIMB ANGLE: 58°

HOT DIPPED GALVANIZED FINISH

HANDRAILS ARE TOUGH BAKED IN POWDER COATED YELLOW FINISH

ALL STEPS & PLATFORM ARE SERRATED STEEL

KNOCK-DOWN HANDRAILING

(UNIT SHIPS KNOCKED DOWN, ASSEMBLY REQUIRED)

SPECIAL FEATURES

NONE

NOTE

UNIT MUST BE ANCHORED TO THE FLOOR!!!

Ø7/16" MOUNTING HOLES

8 TOTAL MOUNTING HOLES PER

STANDARD UNIT

2 MOUNTING HOLES PER CORNER
 BRACKET

APPROVAL

I, THE UNDERSIGNED, AGREE THAT THE PRODUCT AS REPRESENTED SATISFIES DESIGN AND DIMENSION REQUIREMENTS. I ALSO ACKNOWLEDGE MY DUTY TO CONFIRM PRODUCT AND INSTALLATION COMPLIANCE WITH ALL APPLICABLE FEDERAL, STATE AND LOCAL REGULATIONS AND STANDARDS.

UNITS REQUIRING APPROVAL DRAWINGS OR MODIFIED ARE NON-RETURNABLE

[] As drawn [] As marked

Signed: _____ Date: _____

Printed Name: _____

LEAD TIME WILL START UPON RECEIPT OF SIGNED APPROVAL DRAWING

DISTRIBUTOR'S NAME:		P.O.#
VESTIL MANUFACTURING		X
DRAWN BY: BCN		W.O.#
DATE: 4/29/2016		X
REFERENCE: X	SCALE: 1:30	SALES: X
QUOTED LEAD TIME: X	QUOTE #	FILE NAME:
	X	44-007-740